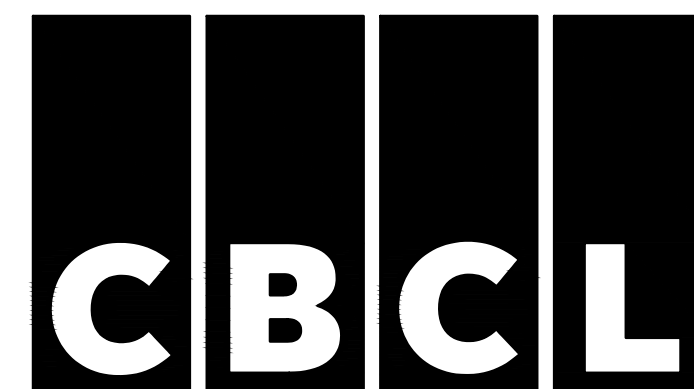
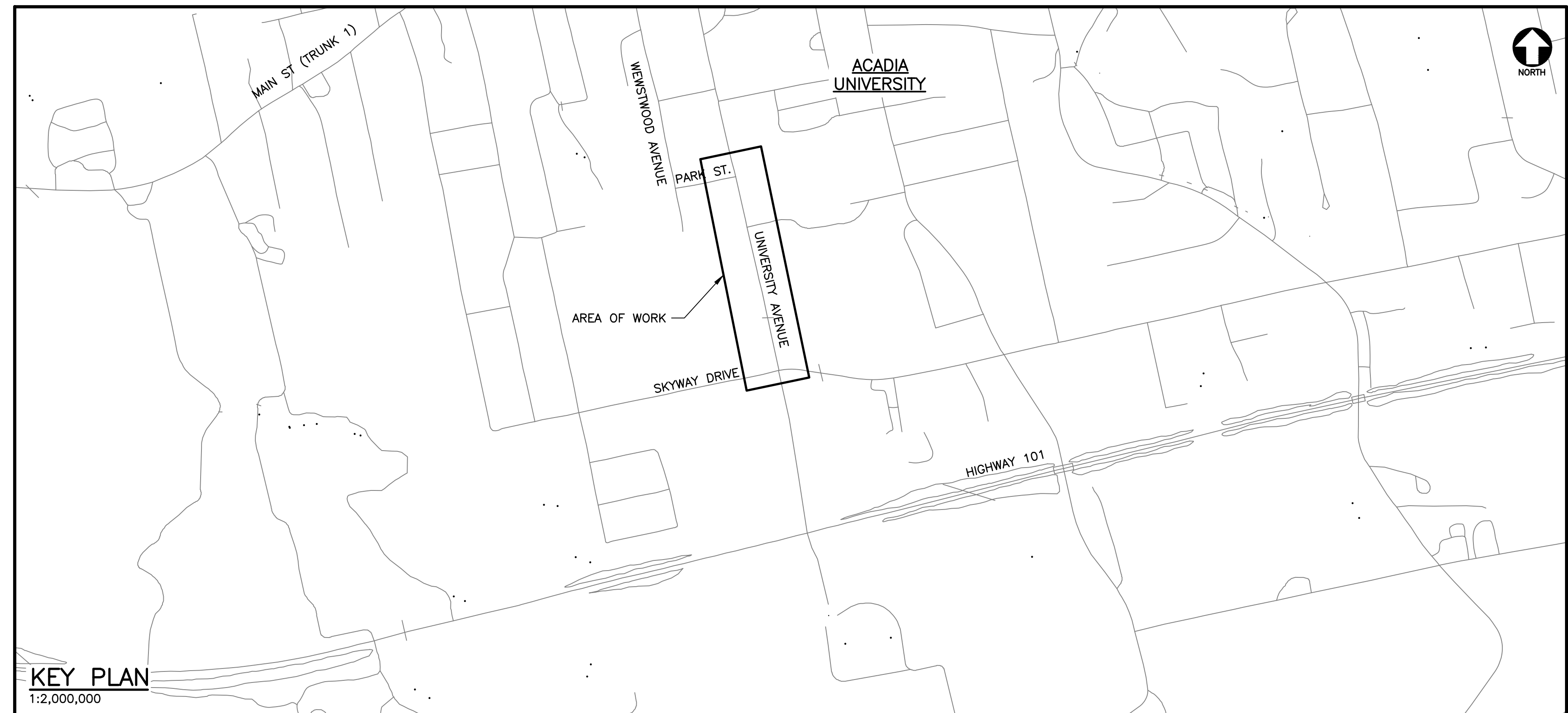




Sheet List Table		
Sheet Number	Sheet Title	Station Range
COVER SHEET		
C000	COVER SHEET	
CIVIL		
C100	OVERALL SITE PLAN	
C200	UNIVERSITY AVENUE PLAN AND PROFILE	STA 0+000 TO 0+330
C201	UNIVERSITY AVENUE PLAN AND PROFILE	STA 0+330 TO 0+453
C300	DETAIL SHEET 1	
C301	DETAIL SHEET 2	

WATER TRANSMISSION MAIN - UNIVERSITY AVE., PARK ST. TO SKYWAY DR.



ISSUED FOR
TENDER

APRIL 12, 2023

CBCL Project No. 141023.08



ACADIA
UNIVERSITY

LIMIT OF
CONSTRUCTION

C200

C201

LIMIT OF
CONSTRUCTION

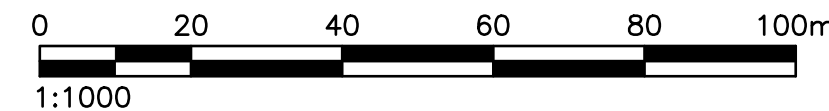
UNIVERSITY AVENUE

PARK STREET

SKYWAY DRIVE

WESTWOOD AVENUE

PLAN
1:1000

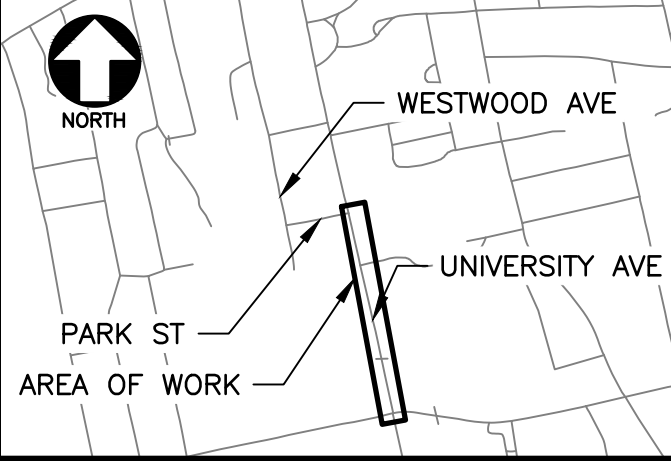


GENERAL NOTES

- ALL ELEVATIONS ARE IN METRES TO CANADIAN GEODETIC DATUM. BENCHMARK FOR SURVEY IS NSCM 8364, WITH A PUBLISHED ELEV. OF 14.076m.
- TOPOGRAPHIC INFORMATION IS FROM SURVEY COMPLETED BY DEWOLFE & MORSE SURVEYING LIMITED.
- PROPERTY LINE INFORMATION PROVIDED BY THE TOWN OF WOLFVILLE AND IS APPROXIMATE ONLY.
- UTILITY INFORMATION IS APPROXIMATE ONLY. EXACT LOCATION IF REQUIRED SHALL BE DETERMINED IN FIELD BY THE CONTRACTOR.
- ALL WORK TO BE DONE IN ACCORDANCE WITH THE NOVA SCOTIA STANDARD SPECIFICATION FOR MUNICIPAL SERVICES (LATEST EDITION) AND TO THE PROJECT SPECIFICATIONS. WHEN CONFLICTS BETWEEN THE DOCUMENTS OCCUR, THE MORE STRINGENT SHALL APPLY AS DIRECTED BY THE ENGINEER.
- CONTRACTOR SHALL INSTALL TEMPORARY CONSTRUCTION SIGNAGE IN ACCORDANCE WITH THE MANUAL OF UNIFORM TRAFFIC CONTROL DEVICES (MUTCD) OF CANADA (LATEST EDITION) AND IN ACCORDANCE WITH LOCAL CONSTRUCTION PRACTICES.
- THE CONTRACTOR SHALL ARRANGE FOR AND PAY FOR ALL TEMPORARY SERVICES SUCH AS POWER AND WATER DURING CONSTRUCTION AS REQUIRED.
- CONTRACTOR SHALL ASSIST ENGINEER IN OBTAINING DATA NECESSARY FOR RECORD DRAWINGS (IE: ELEVATION DATA, NORTHINGS, EASTINGS, MARK-UP'S, ETC.). CONTRACTOR SHALL RECORD ALL NECESSARY INFORMATION PRIOR TO BURIAL OF SITE SERVICES.
- PAYMENT FOR REINSTATEMENT OF STREET ASPHALT, GRAVEL AND VEGETATED SURFACES DISTURBED DURING CONSTRUCTION IS TO BE INCLUDED AS AN INCIDENTAL TO THE WORK. REINSTATEMENT OF DRIVEWAYS AND WALKWAYS WILL BE MEASURED SEPARATELY.
- ALL DISTURBED SURFACES TO BE REINSTATED. ALL EXPOSED LOT SLOPES HYDROSEEDED, ROAD SLOPES HYDROSEEDED c/w 100mm TOPSOIL AND ENVIRONMENTAL MAT, EXCEPT WHERE ROCK IS PRESENT. EXPOSED SUBGRADES COVERED WITH STRAW MULCH, EXCEPT WHERE ROCK IS PRESENT.
- THERE SHOULD BE A MINIMUM OF 450mm OF VERTICAL SEPARATION ON ALL CROSSINGS BETWEEN WATER AND SEWER LINES. WITH THE WATER LINE LOCATED ABOVE THE SEWER LINE. WHERE THE WATER LINE IS LESS THAN THIS VERTICAL SEPARATION AND LIES ABOVE THE SEWER OR WHERE THE SEWER CROSSES OVER THE WATERMAIN A FULL LENGTH OF CASING PIPE c/w LINK SEALS CENTERED OVER THE INFRINGEMENT AREA IS TO BE USED.
- AN ELECTRONIC COPY OF THE LAYOUT IN AUTOCAD FORMAT WILL BE SUPPLIED TO THE CONTRACTOR. CONTRACTOR IS TO VERIFY ALL DIMENSIONS AND COORDINATES, AND REPORT ANY DISCREPANCIES TO ENGINEER.
- POSITION OF SERVICE LATERALS SHOWN IS APPROXIMATE. EXACT LOCATION SHALL BE DETERMINED IN FIELD BY THE CONTRACTOR.
- ALL TRANSMISSION WATERMAIN TO BE PVC DR18 COMPLETE WITH TRACE WIRE. INSTALL UNDER EXISTING WATER SERVICE LATERALS.
- VERTICAL ALIGNMENT CHANGES ARE TO BE ACHIEVED VIA JOINT DEFLECTION. MAXIMUM DEFLECTION PER JOINT: 3 DEGREES.
- NOTIFY NSPI BEFORE EXCAVATING NEAR UTILITY POLES. PROVIDE TEMPORARY SUPPORT FOR UTILITY POLES AS REQUIRED. COORDINATE REINSTATEMENT OF ANY DISTURBED GUY WIRES WITH NSPI.

SEDIMENT CONTROL NOTES:

- THE CONTRACTOR IS RESPONSIBLE FOR ALL ENVIRONMENTAL EROSION AND SILTATION CONTROL AS PER THE LATEST EDITION OF THE NOVA SCOTIA ENVIRONMENT EROSION AND SILTATION GUIDELINES. EROSION AND SILTATION DEVICES TO BE IN PLACE BEFORE COMMENCING WORK.
- EXPOSED SURFACES MUST BE STABILIZED ON A DAILY BASIS. PARTICULAR ATTENTION SHOULD BE PAID TO RAINFALL FORECASTS AND ASSURING THE SITE HAS ADEQUATE PROTECTION.
- INSTALL SILT FENCING AS INDICATED ON DRAWING, AND AT LOCATIONS NECESSARY TO BLOCK SEDIMENT FROM LEAVING SITE. SILT FENCING SHOULD BE MAINTAINED ON A REGULAR BASIS.
- MAINTAIN A STOCKPILE OF EROSION AND ENVIRONMENTAL PROTECTION MATERIAL ON SITE AT ALL TIMES FOR DAY TO DAY USE.
- STOCKPILES SHALL BE COVERED WITH PLASTIC SHEETS IN ADVANCE OF RAIN EVENTS AS REQUIRED.
- CONTRACTOR TO ENSURE THAT MATERIAL IS NOT TRACKED ONTO ADJACENT STREETS BY VEHICLES LEAVING THE SITE. DAILY STREET SWEEPING REQUIRED WHEN HAULING.
- INSTALL FILTER BAGS ON CATCH BASINS TO PREVENT SEDIMENT FROM ENTERING STORM SYSTEM.
- REMOVE ALL EROSION AND SEDIMENT CONTROL DEVICES ONCE REINSTATEMENT WORK HAS BEEN COMPLETED AND VEGETATED AREAS HAVE REESTABLISHED STRONG GROWTH.



KEY PLAN
1:15000

LEGEND

- ROAD CENTRE LINE (EX.)
- EDGE OF ASPHALT (EX.)
- CONCRETE CURB (EX.)
- ASPHALT CURB (EX.)
- ASPHALT DRIVEWAY (EX.)
- GRAVEL DRIVEWAY (EX.)
- SANITARY LATERAL (EX.)
- STORM SEWER (EX.)
- WATERMAIN (EX.)
- WATERMAIN LATERAL (EX.)
- WATER TRANSMISSION MAIN (EX.)
- WATER TRANSMISSION MAIN (PR.)
- STORM DITCH (EX.)
- STORM CULVERT (EX.)
- O/H POWER (EX.)
- FENCE (EX.)
- APPROXIMATE STREET R.O.W. (EX.)
- TOP SOIL AND SOD (EX.)
- TREES (EX.)
- HEDGES (EX.)
- GATE VALVE (EX.)
- SANITARY MANHOLE (EX.)
- SANITARY PUMP STATION (EX.)
- STORM CB (EX.)
- UTILITY POLE (EX.)
- FIRE HYDRANT (EX.)
- WATERMAIN FITTINGS (PR.)
- WATERMAIN BENDS (PR.)
- SIGN (EX.)
- 52.0 SURFACE CONTOUR (EX.)
- 52.0 SURFACE CONTOUR (PR.)
- >100.000 SPOT ELEVATION (PR.)

- NOTE**
- GENERAL NOTES SEE DRAWING C100.
 - ALL DIMENSIONS ARE IN METRES UNLESS OTHERWISE NOTED.



No.	Description	Date	By
0	ISSUED FOR TENDER	APR 12/23	RG
B	ISSUED FOR REVIEW	MAR 02/22	RG
A	ISSUED FOR REVIEW	DEC 21/21	RG

Revision or Issue

TOWN OF WOLFVILLE
WATER TRANSMISSION MAIN –
UNIVERSITY AVE., PARK ST. TO
SKYWAY DR.

CIVIL

OVERALL SITE PLAN



Contract No	Date	Scale
141023.08	2021	AS NOTED

Designed RG	Drawn MZ
Checked RG	Approved RG

Sheet No
1 of 5

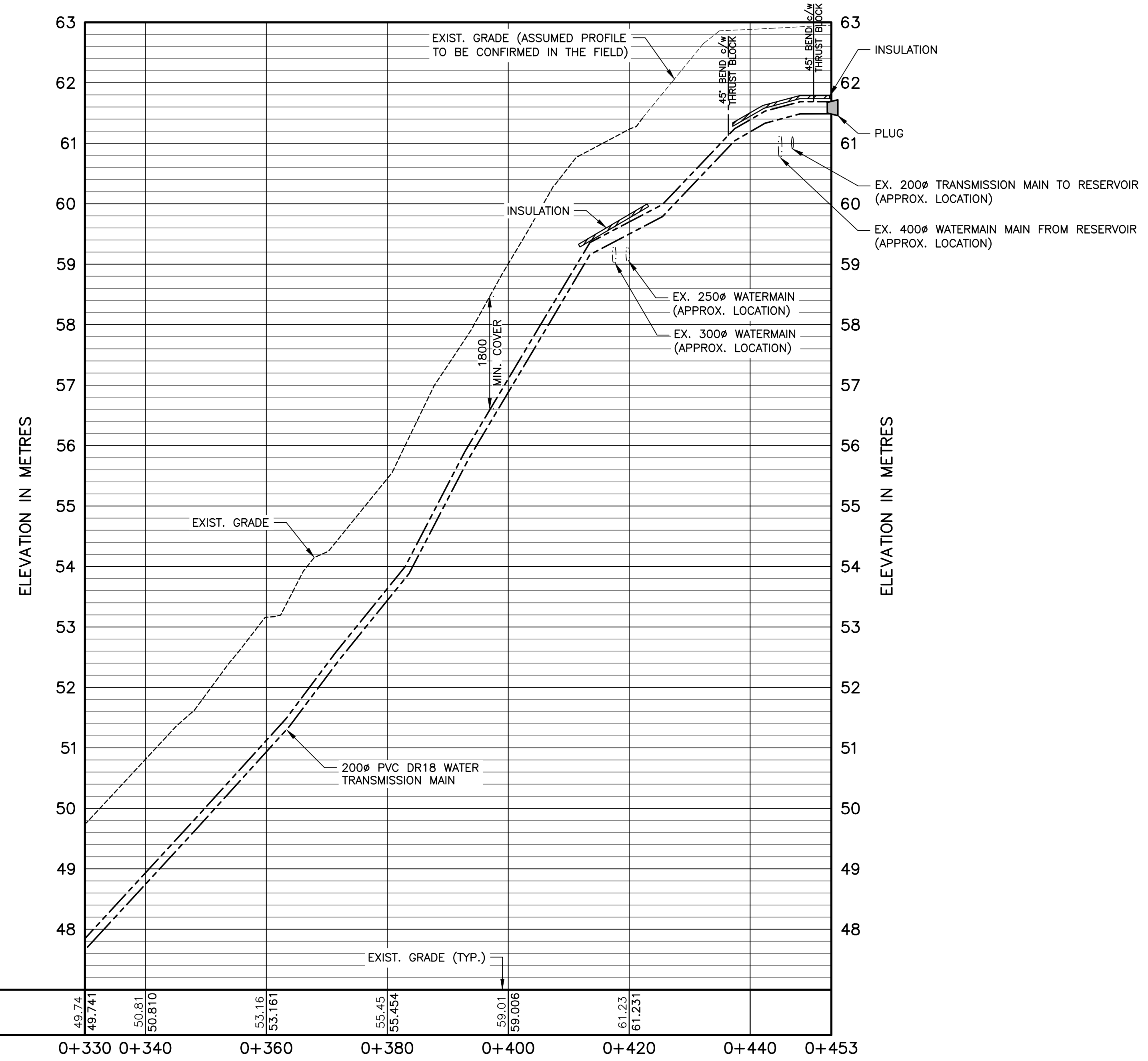
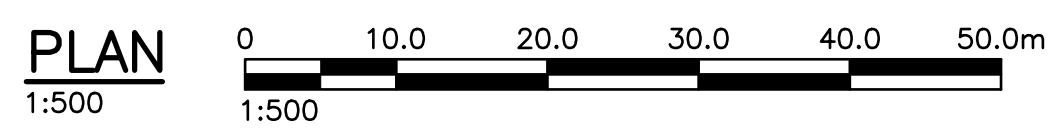
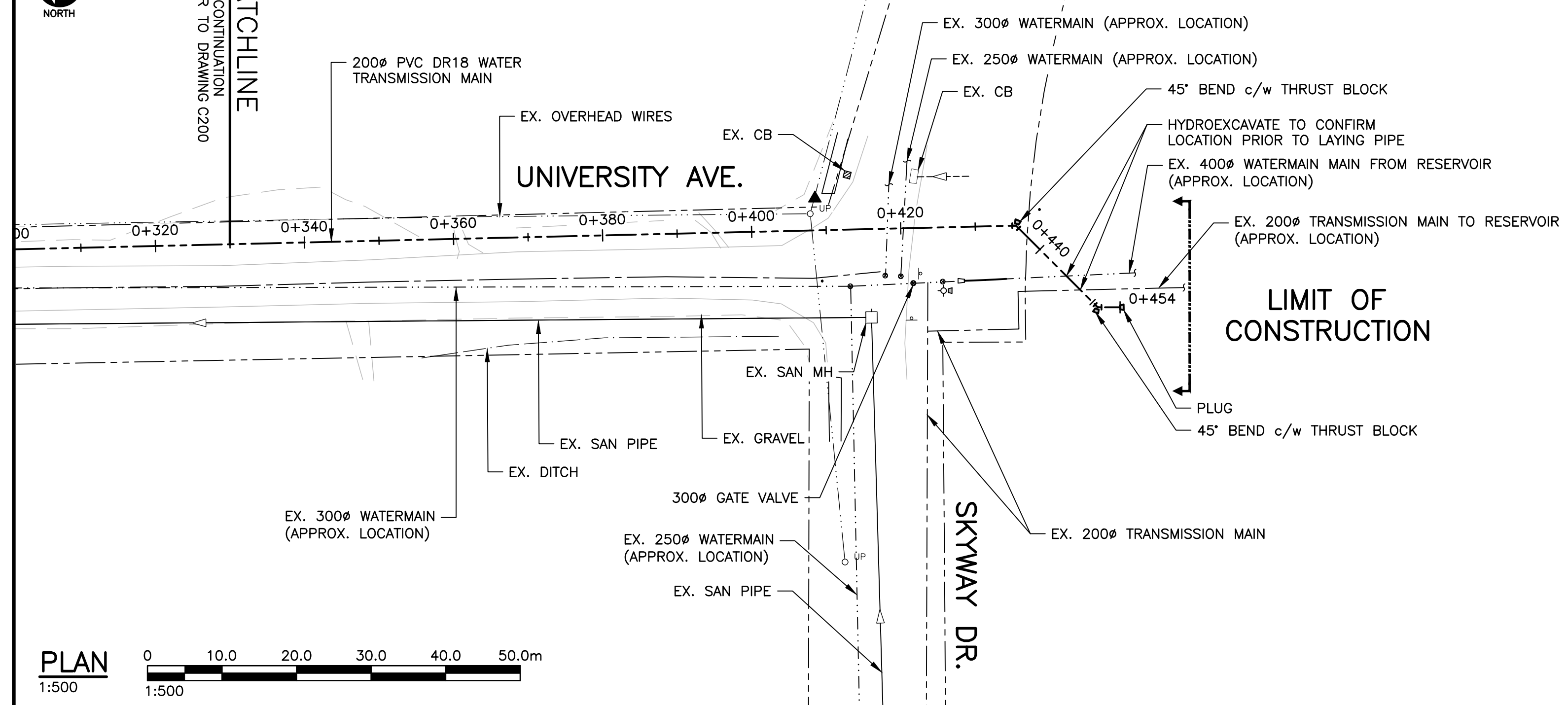
Drawing No
C100



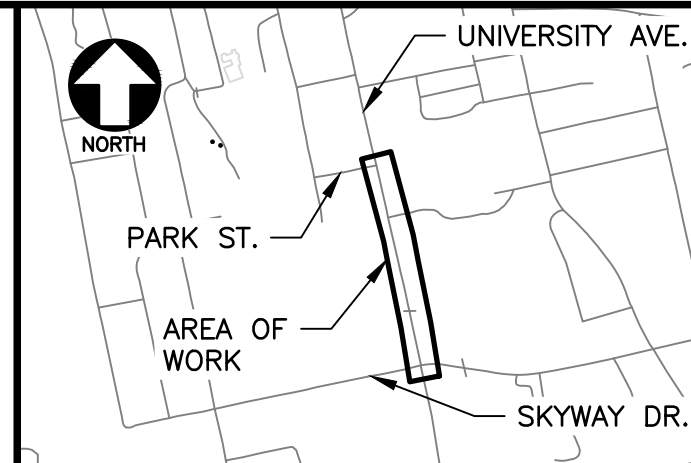
DRAWING NAME: Y:\HALIFAX\DATA\PROJECTS\141023.08 TRANS. MAIN EXTENSION - UNIVERSITY AVE.44 CAD/01 CHAL/03 DRAWING SHEETS\141023.08 - C100.DWG LAYOUT NAME: C100_EDGE_DATE: Tuesday, April 11, 2023 2:15:54 PM CAD_OPERATOR: MZ/OU



MATCHLINE
FOR CONTINUATION
REFER TO DRAWING C200



PROFILE
1:500 [H] 1:50 [V]



KEY PLAN
1:15000

- LEGEND
- ROAD CENTRE LINE (EX.)
 - EDGE OF ASPHALT (EX.)
 - CONCRETE CURB (EX.)
 - ASPHALT CURB (EX.)
 - ASPHALT DRIVEWAY (EX.)
 - GRAVEL DRIVEWAY (EX.)
 - SANITARY LATERAL (EX.)
 - STORM SEWER (EX.)
 - WATERMAIN (EX.)
 - WATERMAIN LATERAL (EX.)
 - WATER TRANSMISSION MAIN (EX.)
 - WATER TRANSMISSION MAIN (PR.)
 - STORM DITCH (EX.)
 - STORM CULVERT (EX.)
 - O/H POWER (EX.)
 - FENCE (EX.)
 - APPROXIMATE STREET R.O.W. (EX.)
 - TOP SOIL AND SOD (EX.)
 - TREES (EX.)
 - HEDGES (EX.)
 - GATE VALVE (EX.)
 - SANITARY MANHOLE (EX.)
 - SANITARY PUMP STATION (EX.)
 - STORM CB (EX.)
 - UTILITY POLE (EX.)
 - FIRE HYDRANT (EX.)
 - WATERMAIN FITTINGS (PR.)
 - WATERMAIN BENDS (PR.)
 - SIGN (EX.)
 - 52.0 SURFACE CONTOUR (EX.)
 - 52.0 SURFACE CONTOUR (PR.)
 - SPOT ELEVATION (PR.)

NOTE
1. GENERAL NOTES SEE DRAWING C200.
2. ALL DIMENSIONS ARE IN METRES UNLESS OTHERWISE NOTED.

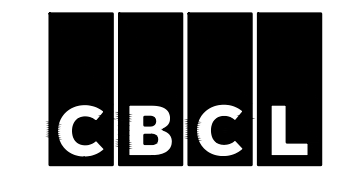


No.	Description	Date	By
O	ISSUED FOR TENDER	APR 12/23	RG
B	ISSUED FOR REVIEW	MAR 02/22	RG
A	ISSUED FOR REVIEW	DEC 21/21	RG

Revision or Issue

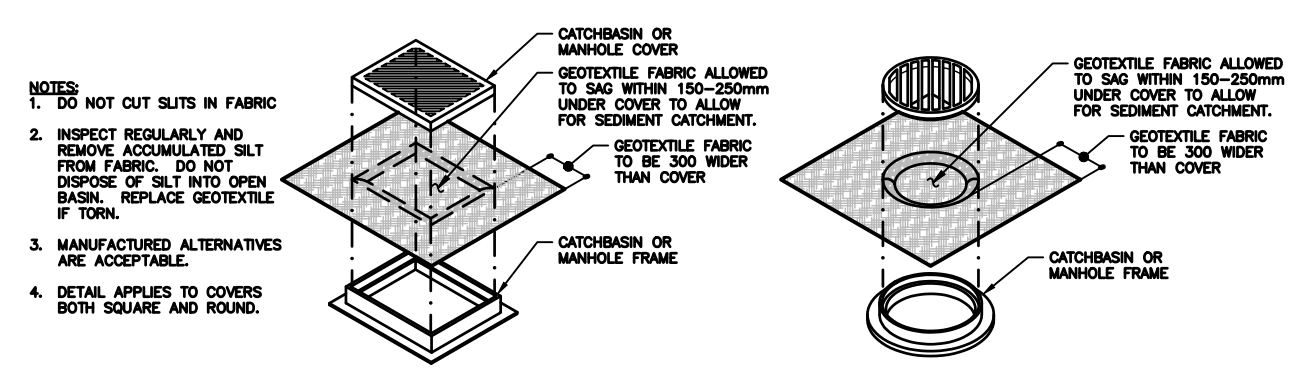
TOWN OF WOLFVILLE
WATER TRANSMISSION MAIN —
UNIVERSITY AVE., PARK ST. TO
SKYWAY DR.
CIVIL

UNIVERSITY AVENUE
PLAN AND PROFILE
STA 0+330 TO 0+453

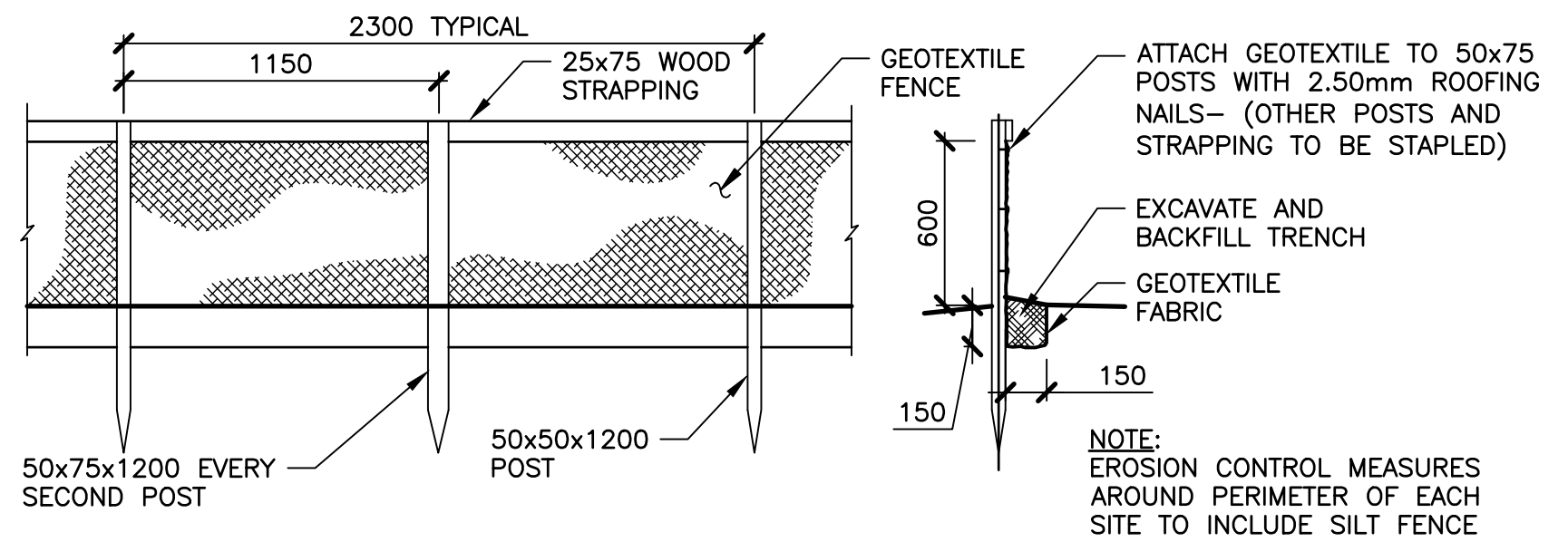


CBCL No 141023.08	Contract No WOL001-22	Date APRIL 2021	Scale AS NOTED
Designed RG	Checked RG	Drawn MZ	Approved RG
Sheet No 3 of 5		Drawing No 5216	
C201			

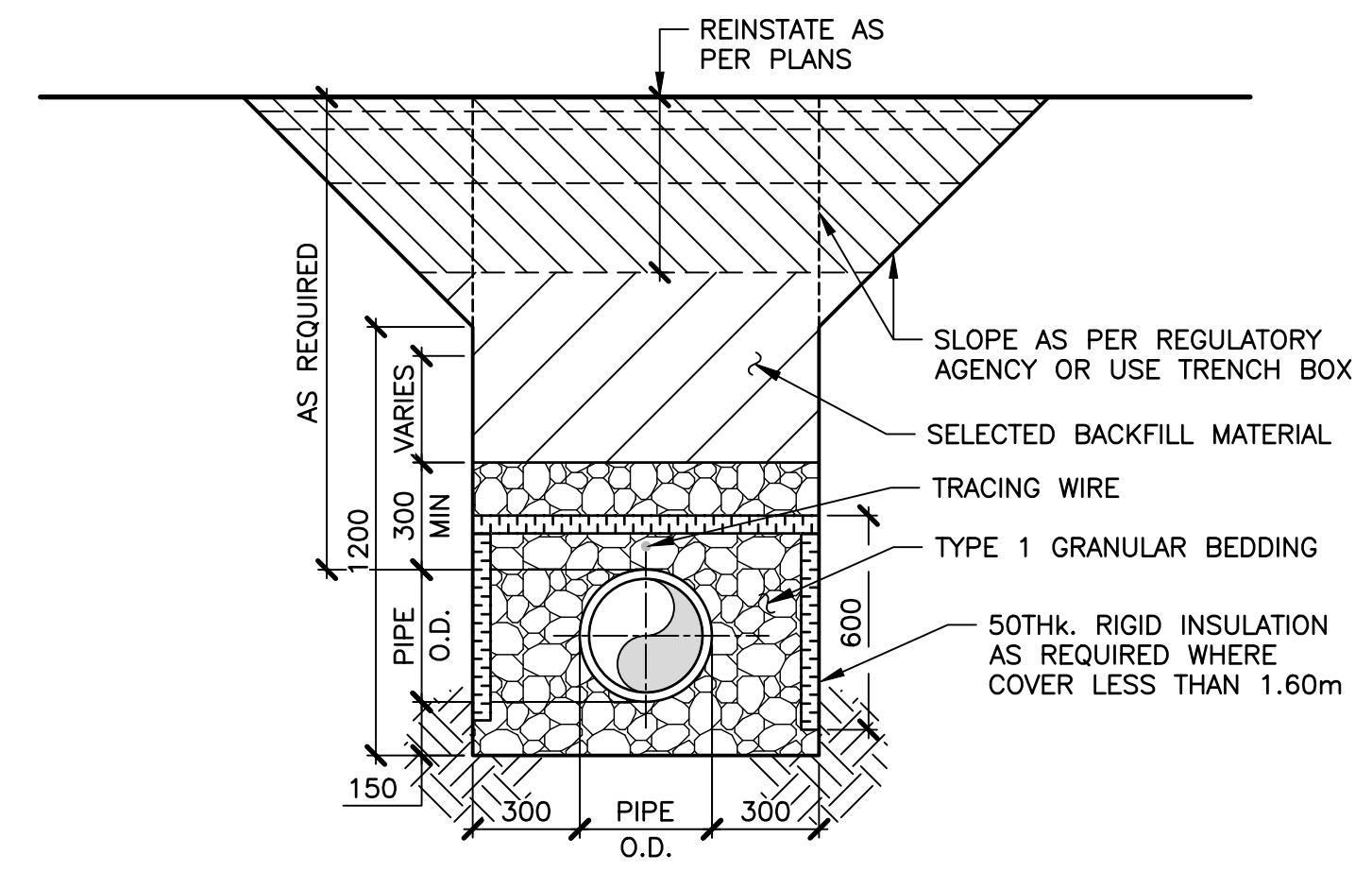
DRAWING NAME: \\VALPADA\DATA\PROJECTS\141023.08 TRANS MAIN EXTENSION - UNIVERSITY AVE\4 CAD\01 CHAL\03 DRAWING SHEETS\141023.08 - C200.DWG LAYOUT NAME: C201 LAYOUT DATE: Tuesday, April 11, 2023 2:28:34 PM CAD OPERATOR: MD/OU



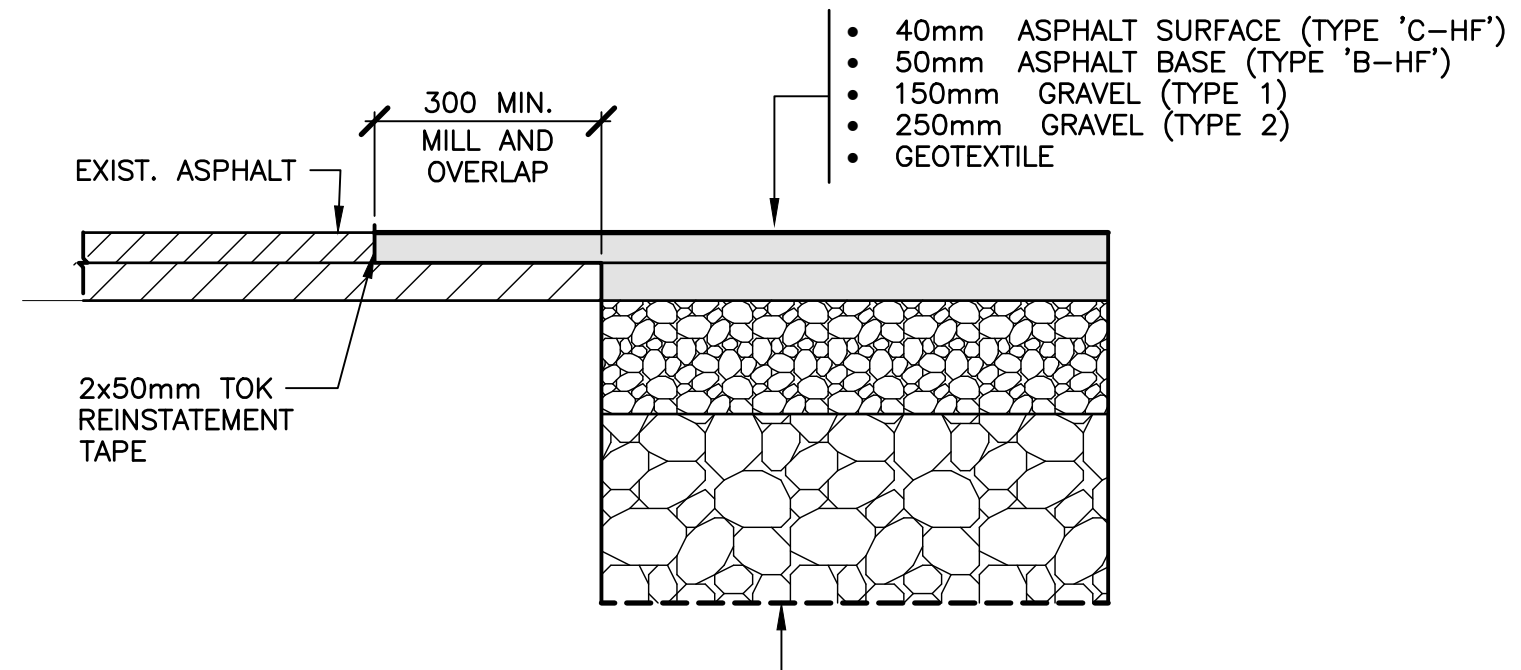
1 DETAIL—SEDIMENT CONTROL INTO STORM STRUCTURES
C300 N.T.S.



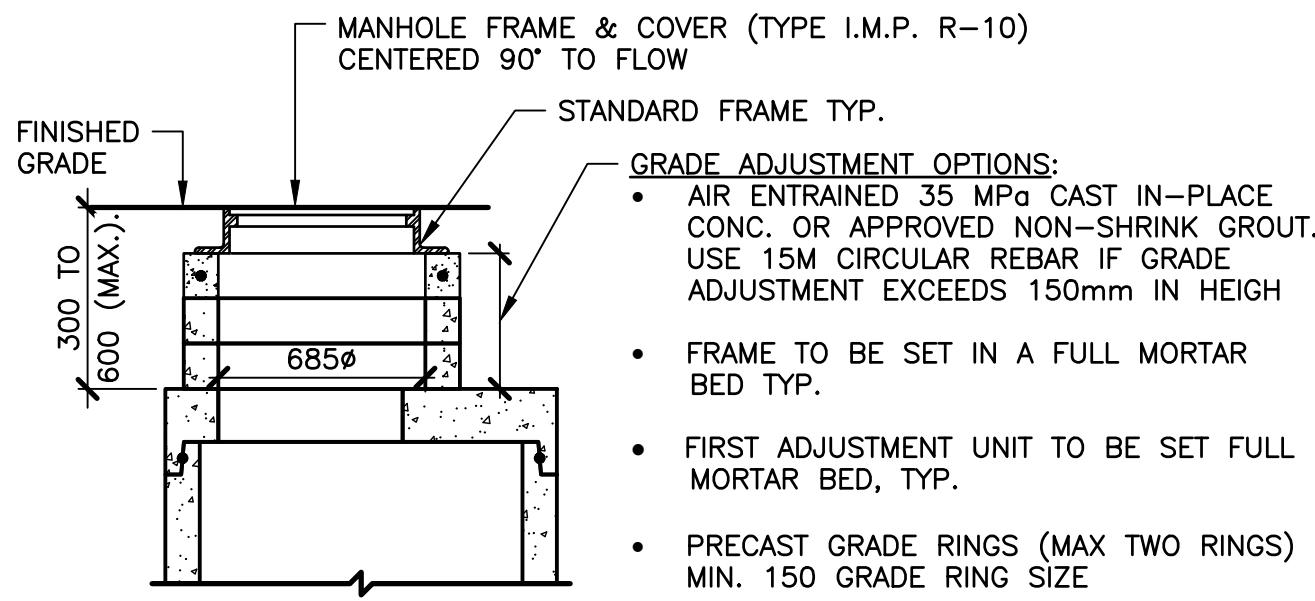
2 DETAIL—SEDIMENT CONTROL FENCE
C300 1:25



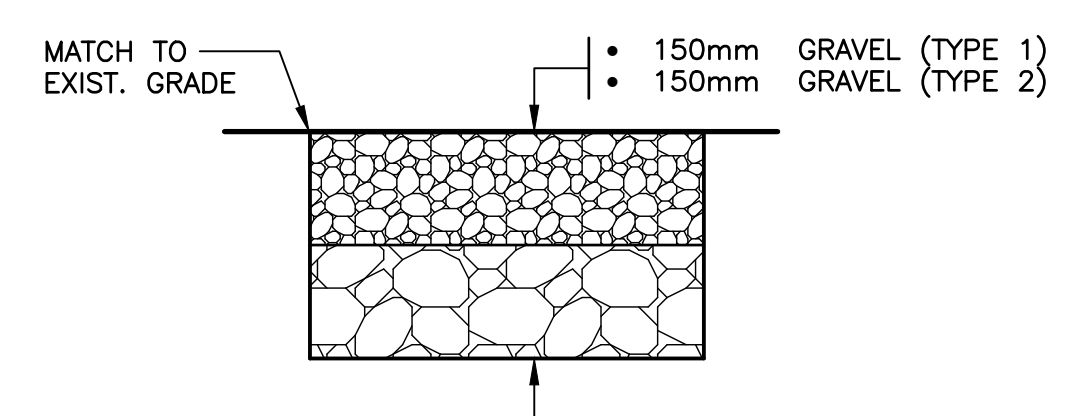
3 DETAIL—TYPICAL TRENCH FOR ONE PIPE
C300 1:20



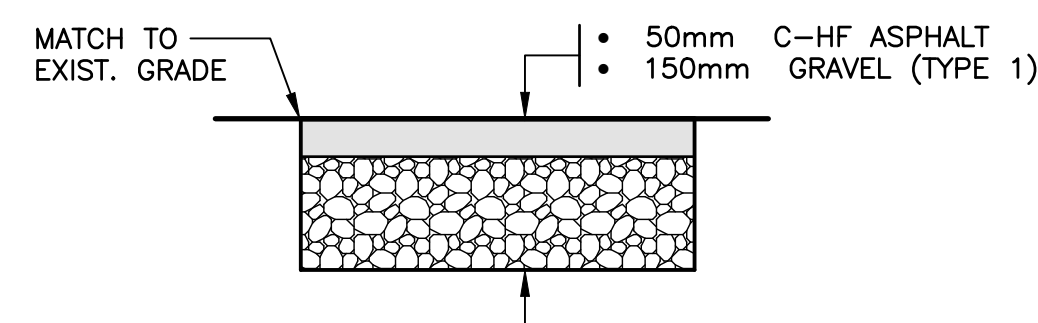
4 DETAIL—ASPHALT ROAD REINSTATEMENT
C300 1:10



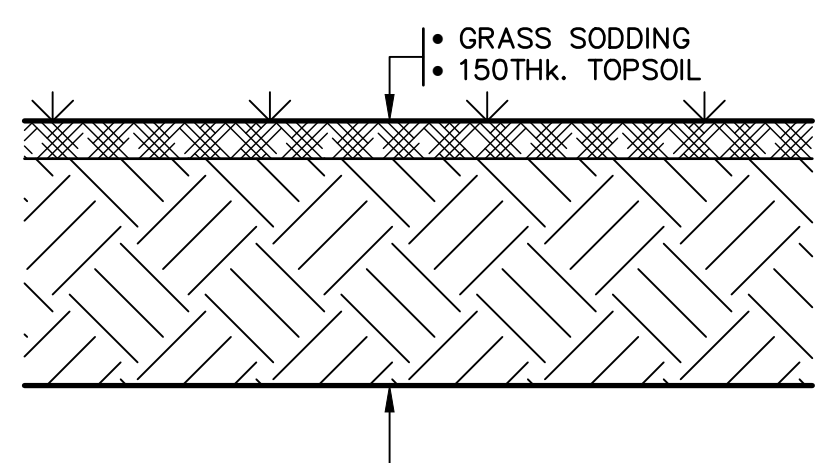
5 DETAIL—MANHOLE ADJUSTMENT
C300 1:25



6 DETAIL—GRAVEL DRIVEWAY REINSTATEMENT
C300 1:10



7 DETAIL—ASPHALT DRIVEWAY AND SIDEWALK (WALK) REINSTATEMENT
C300 1:10



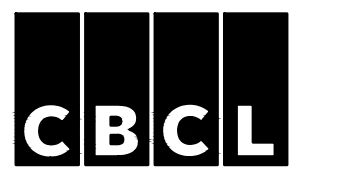
8 DETAIL—GRASSED AREA REINSTATEMENT
C300 1:5

NOTES
1. GENERAL NOTES SEE DRAWING C100.
2. ALL DIMENSIONS ARE IN MILLIMETRES UNLESS OTHERWISE NOTED.



No.	Description	Date	By
O	ISSUED FOR TENDER	APR 12/23	RG
B	ISSUED FOR REVIEW	MAR 02/22	RG
A	ISSUED FOR REVIEW	DEC 21/21	RG

Revision or Issue
TOWN OF WOLFVILLE
WATER TRANSMISSION MAIN — UNIVERSITY AVE., PARK ST. TO SKYWAY DR.
CIVIL
DETAIL SHEET 1

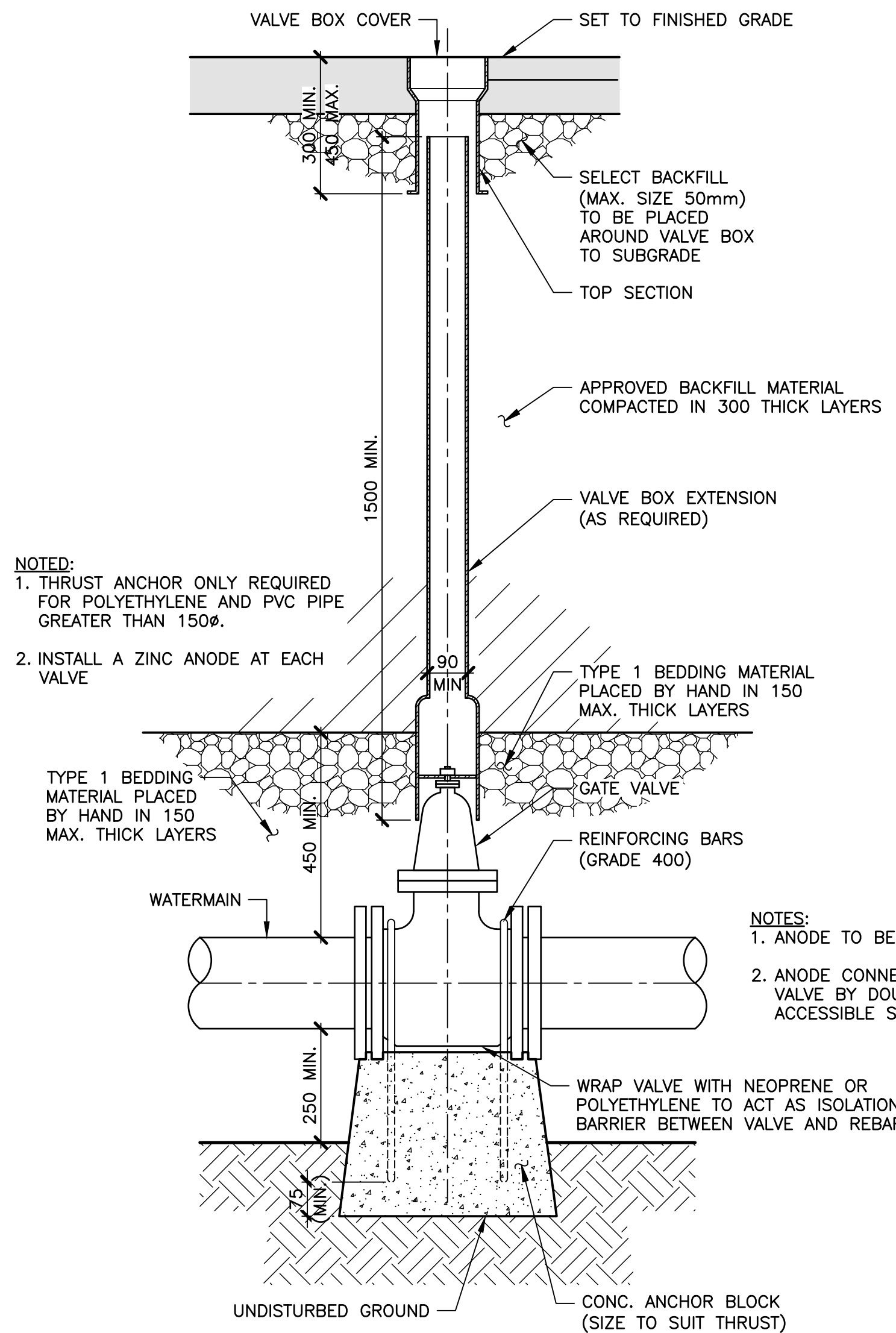


CBCL No	Contract No	Date	Scale
141023.08	WOL001-22	APRIL 2021	AS NOTED
Designed	RG	Drawn	MZ
Checked	RG	Approved	RG
Sheet No	4 of 5		
Drawing No	C300		

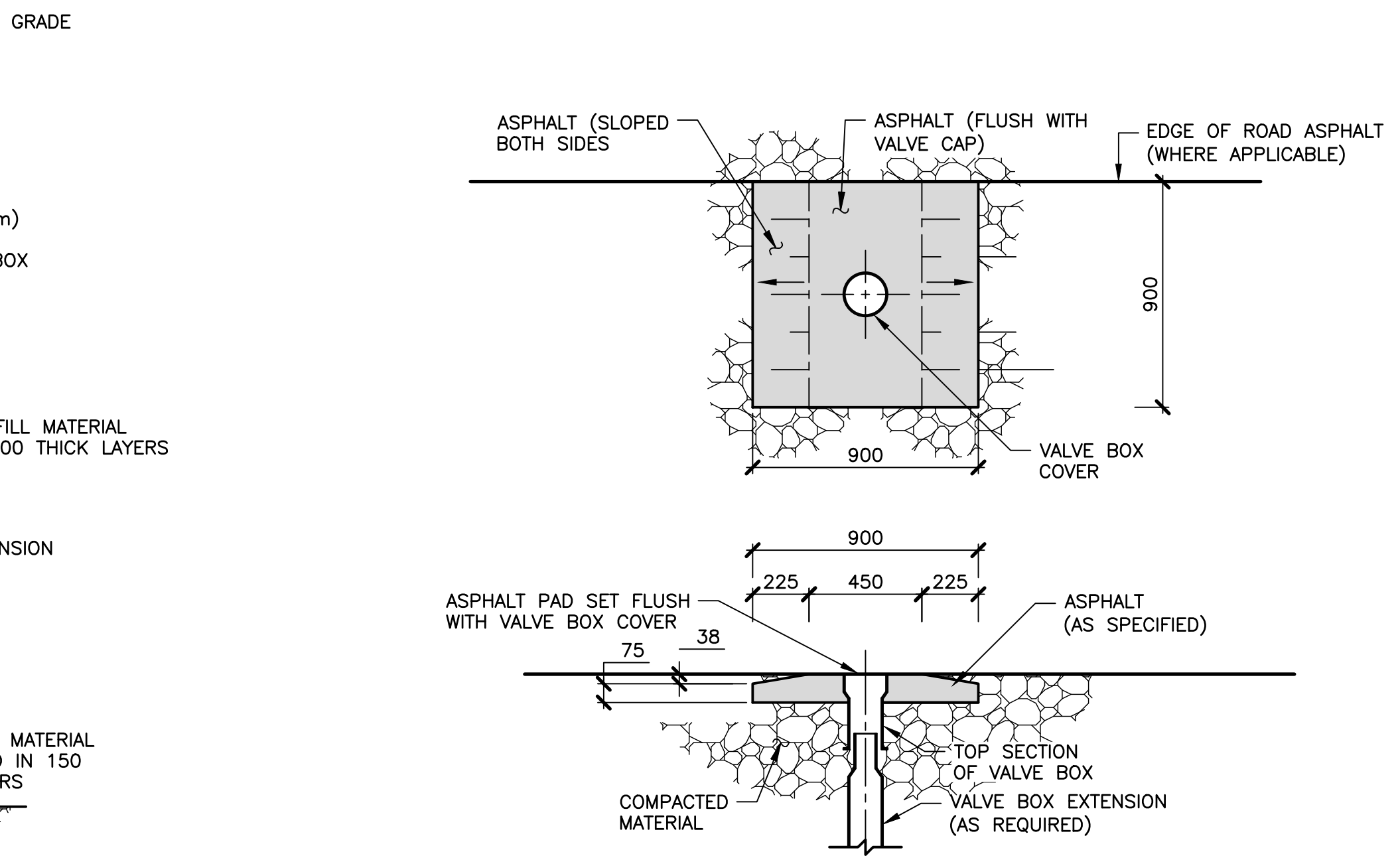


DRAWING NAME: \\VALPATA\DATA\PROJECTS\141023.08 TRANS - MAIN EXTENSION - UNIVERSITY AVE., CAD/01 CHAL/03 DRAWING SHEETS\141023.08 - C300.DWG LAYOUT NAME: C300_EAGE.DWG Tuesday, April 11, 2023 2:54:50 PM CAD OPERATOR: MZ/OU

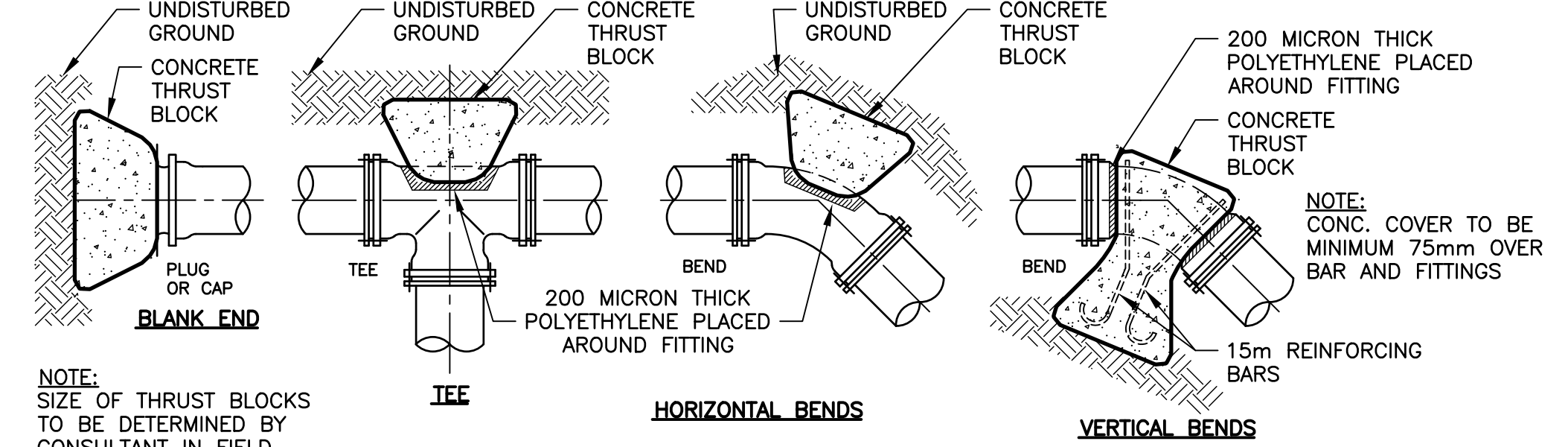
DRAWING NAME: Y:\VALPIVA\DATA\PROJECTS\141023.08 TRANS MAIN EXTENSION - UNIVERSITY AVE. CAD:01 CHAL03 DRAWING SHEETS\141023.08 - C301.DWG LAYOUT NAME: C301.DWG DATE: Tuesday, April 11, 2023 8:54:58 AM CAD OPERATOR: MZOU



1 DETAIL-GATE VALVE AND BOX
C301 1:10



2 DETAIL-ASPHALT APRON FOR VALVE BOX
C301 1:20 (ONLY FOR VALVES OUTSIDE OF PAVED AREA)



MINIMUM CONTACT AREAS FOR CONC. THRUST BLOCKS

PIPE Ø mm	AREA m² FOR SOIL SUPPORTING CAPACITY OF 100 kPa	90° BEND	45° BEND	22.5° BEND	1.25° BEND
100	0.25	0.32	0.20	0.16	0.16
150	0.48	0.64	0.40	0.24	0.18
200	0.80	1.12	0.64	0.32	0.18
250	1.28	1.28	0.96	0.48	0.24
300	1.76	1.76	2.56	1.44	0.40

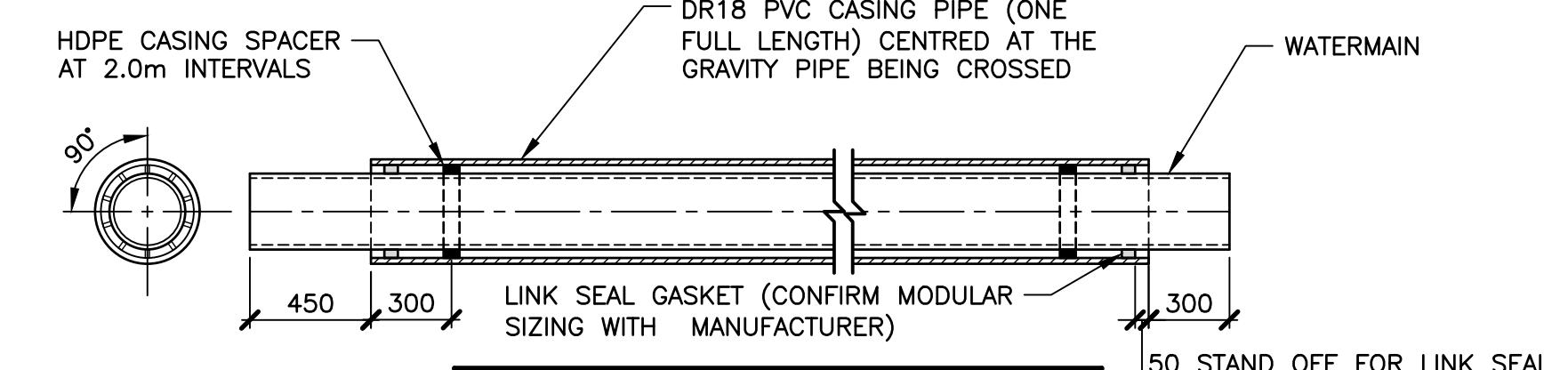
MINIMUM DISTANCE FROM FITTING TO UNDISTURBED GROUND

PIPE Ø mm	mm
100	450
150	450
200	450
250	600
300	750

VERTICAL THRUST BLOCKS THRUST COMPENSATED FOR BY MASS OF CONCRETE (m³)

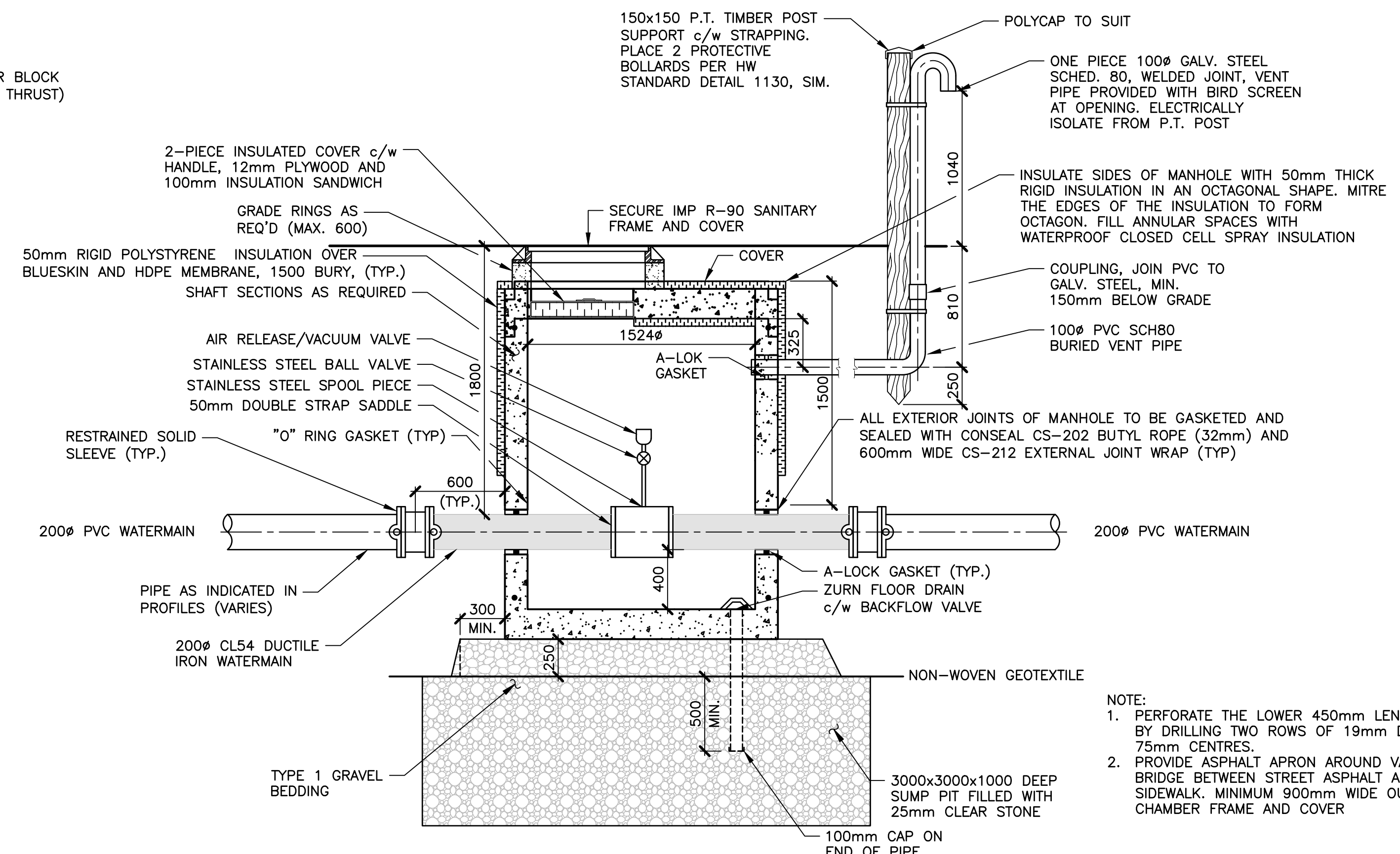
PIPE Ø mm	45° BEND	22.5° BEND	1.25° BEND
100	0.40	0.20	0.20
150	0.80	0.40	0.40
200	1.40	0.70	0.70
250	2.10	1.10	1.10
300	3.00	1.50	1.50

3 DETAIL-CONCRETE THRUST BLOCKS
C301 N.T.S.



WATERMAIN Ø	CASING PIPE Ø
200	300 DR18
250	375 DR18

4 DETAIL-WATERMAIN SLEEVE
C301 1:25



5 DETAIL-AIR RELEASE VALVE CHAMBER (PROVISIONAL)
C301 1:25

NOTES
1. GENERAL NOTES SEE DRAWING C100.
2. ALL DIMENSIONS ARE IN MILLIMETRES UNLESS OTHERWISE NOTED.

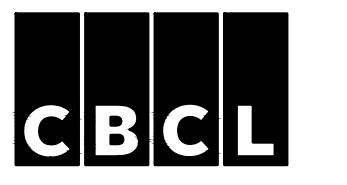


No.	Description	Date	By
O	ISSUED FOR TENDER	APR 12/23	RG
B	ISSUED FOR REVIEW	MAR 02/22	RG
A	ISSUED FOR REVIEW	DEC 21/21	RG

Revision or Issue

TOWN OF WOLFVILLE
WATER TRANSMISSION MAIN - UNIVERSITY AVE., PARK ST. TO SKYWAY DR.
CIVIL

DETAIL SHEET 2



CBCL No	Contract No	Date	Scale
141023.08	WOL001-22	APRIL 2021	AS NOTED

Designed RG	Drawn MZ
Checked RG	Approved RG
Sheet No 5 of 5	Drawing No C301